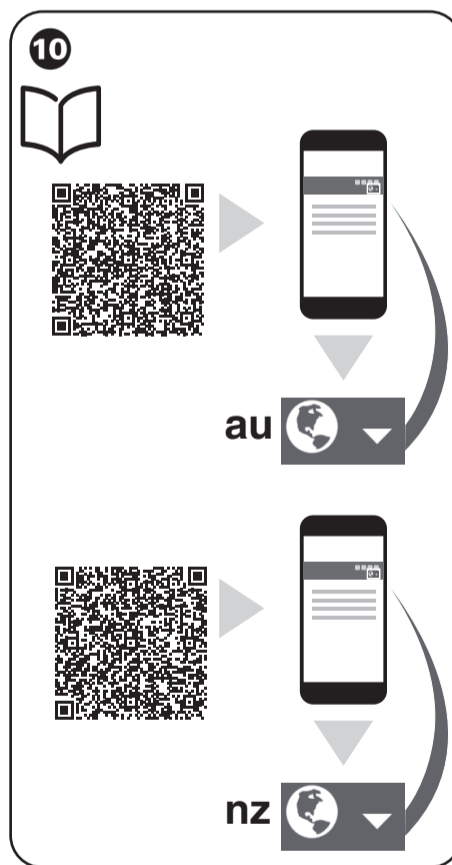
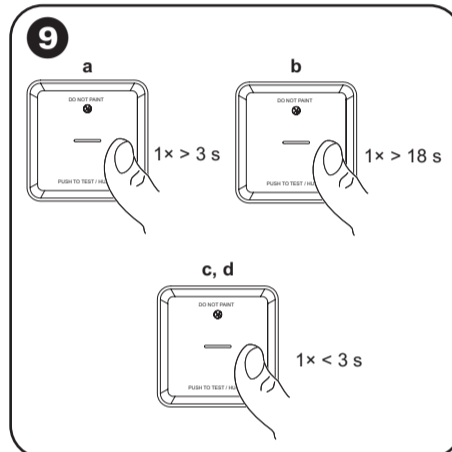
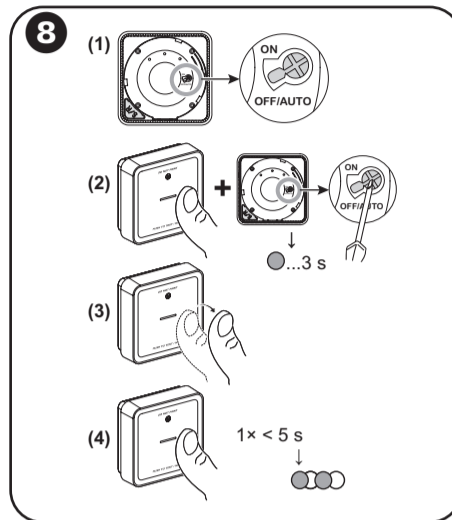
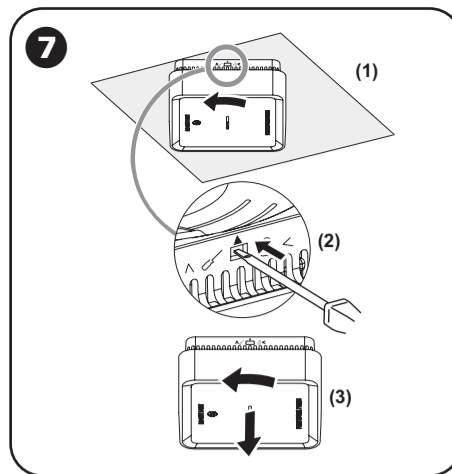
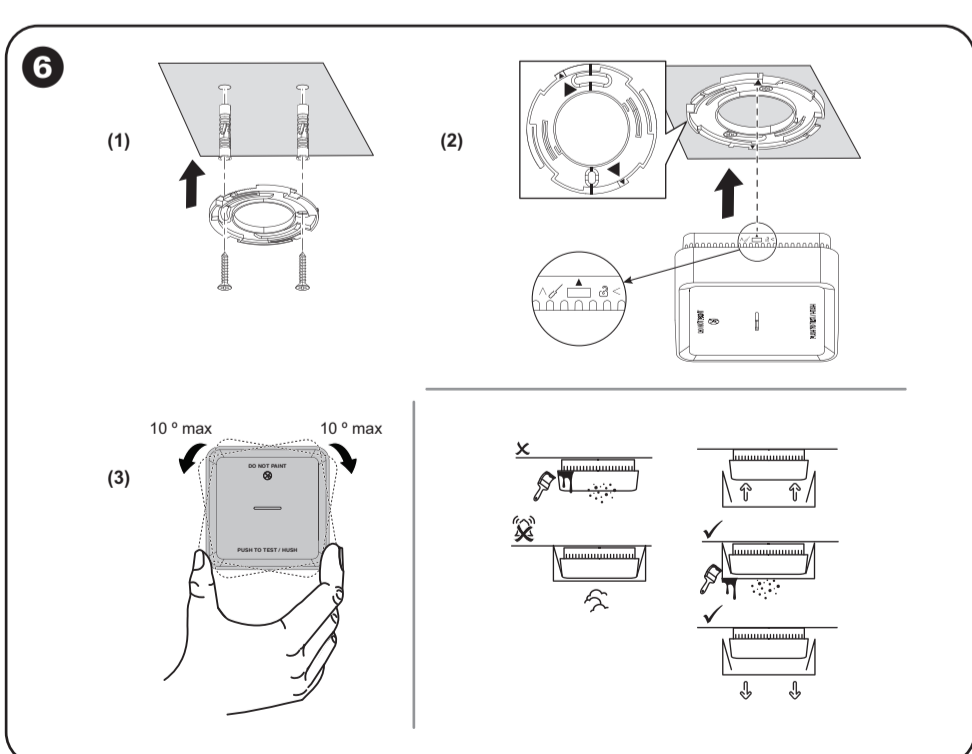
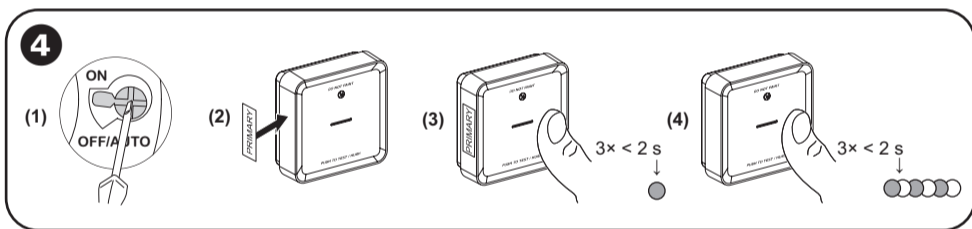
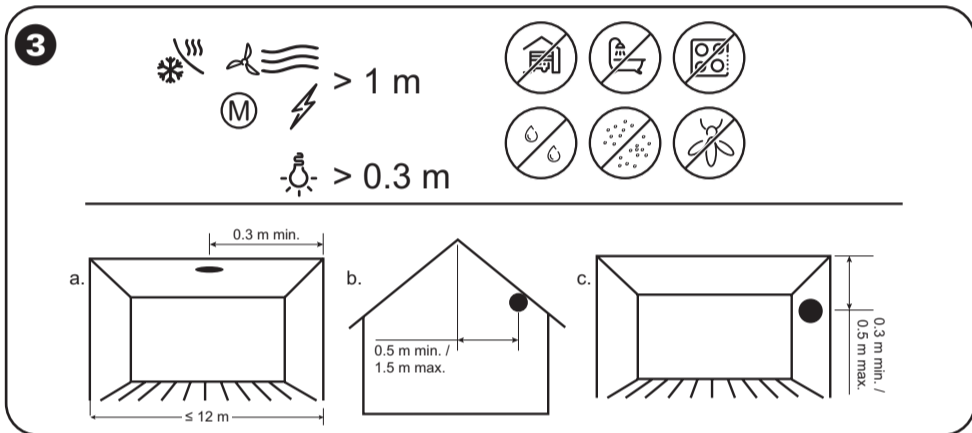
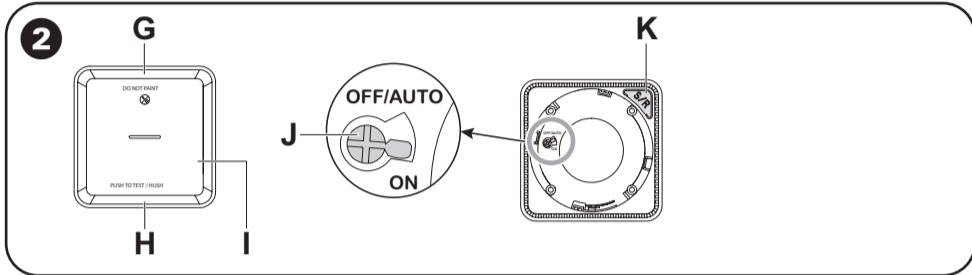
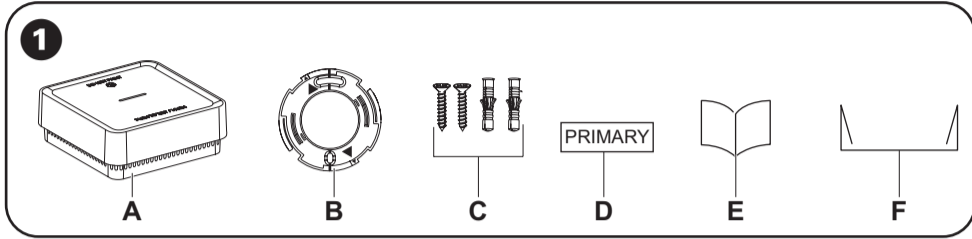


CLP599WSAL
PDL599WSAL

Wiser



Wiser Smoke Alarm Lithium Battery Square

NOTICE

EQUIPMENT INSTALLATION HAZARD

- Always operate the product in compliance with the specified technical data.
- Keep the installation instruction for the life of the product.

Failure to follow these instructions can result in equipment damage.

WARNING

SEALED BATTERY HAZARD

Do not recharge, disassemble or incinerate the battery.

Failure to follow these instructions can result in death, serious injury or equipment damage.

About this product

The Wiser Smoke Alarm Lithium Battery Square (device) uses a photoelectric sensor to detect smoke generated by fire and a temperature sensor that detects heat caused by rapid increase in temperature. When connected to the Wiser system, the device sends notifications to the user via the Wiser app.

1 Package contents

- A Wiser Smoke Alarm Battery
- B Mounting base
- C 2 Screws (M3.5 x 20 mm), 2 wall plugs
- D Primary label
- E Installation instructions
- F Dust cover

2 Operating elements

- G Status LED (Amber, Green and Red LED)
- H Standby LED (Red LED)
- I Test/Hush button
- J Power switch

OFF/Auto: The device turns off when it is removed from the mounting base. When mounted on the mounting base the device, it turns on automatically.

- K Setup/Reset Button

3 Choose suitable location to install

NOTICE

EQUIPMENT DAMAGE

- Do not install in garages, kitchens, bathrooms or any area with high levels of moisture, dirt or insects.
- Do not remove the dust cover until all construction work is completed. Construction dust and chemicals causes fault detection and false alarms.
- Install more than 1 m away from air conditioners/heater vents and fans, electrical sources, appliances and fittings.

Failure to follow these instructions can result in equipment damage.

The device can be installed on:

- a. Flat ceiling
- b. Inclined ceiling
- c. Wall

4 Interconnecting devices without Wiser Hub

The smoke alarms (devices) can be connected to each other via RF connections even without a Wiser Hub.

Read the following steps before to interconnect the devices without Wiser Hub.

1. Turn the power switch to ON position on all devices.
2. Identify a device and mark it as Primary with a label. Other devices are considered Secondary.
3. Short press the Test/Hush button 3 times within 2 s on the primary device. The Standby LED turns On for 30 s once it is in pairing mode.
4. Identify a secondary device and short press the Test/Hush button 3 times within 2 s. The Standby LED blinks 3 times on both primary and secondary devices. Then on the primary device the Standby LED again turns on for 30 s. Repeat step 4 on all secondary devices.

Note:

To exit from pairing mode, short press (< 0.5 s) the Test/Hush button 3 times on the primary device again. The Standby LED turns off indicating that the primary device is not in pairing mode.

5 Connecting to Wiser Hub

Short press the setup/reset button 3 times, the status LED blinks amber. Then add the device in the Wiser app by following the instructions in the app.

When multiple devices are paired to the Wiser Hub, wireless connection between the devices is created automatically.

For more information, refer to device user guide and system user guide.

6 Installing the device

1. Install the mounting base on the wall or ceiling.
2. Position the device on the mounting base. Ensure that the arrows on the device and mounting base are aligned.
3. Rotate the device clockwise until it locks onto the mounting base.

Note: Make sure that the device is parallel to the wall, otherwise rotate and adjust it to +/- 10°.

7 Removing a device from the mounting base

1. Rotate the device anti-clockwise to the end position.
2. Insert a flat-headed screwdriver into the small opening of the device further to unlock it from the mounting base.
3. Hold the screwdriver into the small opening and then rotate the device anti-clockwise to pull it off from the mounting base.

8 Disconnecting a secondary device from RF interconnection

Note:

To remove a secondary device from the mounting base refer to the section "Removing a device from the mounting base".

Do not remove the Primary device.

Read the following steps before disconnecting a secondary device.

1. Make sure that the power switch is in OFF/AUTO position.
2. Press and hold the Test/Hush button and simultaneously turn the power switch to ON position. The standby LED turns on for 3 s.
3. Continue to hold the Test/Hush button until the Standby LED turns off. Then release the Test/Hush button.
4. Short press the Test/Hush button when the Standby LED is again turned on for 3 s. The Standby LED blinks until 5 s, indicating that the RF is disconnected. Then the Status LED blinks green 7 times indicating that the power is resuming.

Note: After disconnecting from RF interconnection, turn the power switch to OFF/AUTO position.

9 Operating the device

CAUTION

DO NOT USE OPEN FLAME

Do not use an open flame of any type to test a device.

Failure to follow these instructions can result in injury or equipment damage.

a. Testing the device

Important:

- Test the device atleast once in a month to ensure proper operation.
- If the smoke alarm is installed in a mobile home, test weekly and before every journey.

Press the Test/Hush button on each device for more than 3 s until an alarm goes off. If the alarm does not go off, either the battery is low or there may be other technical issues. Refer to Troubleshooting.

b. Testing all interconnected devices via one operation

Select any interconnected device.

- Press and hold the Test/Hush button for more than 10 s until an alarm goes off on all interconnected devices. If there is no alarm triggered on the interconnected devices, ensure that the wireless interconnection is correct. And the distance between each device is within the specification.

Note: The triggered alarm on the interconnected devices remains for a longer time even if you release the Test/Hush button.

c. Silencing the device:

Hush feature

- During an alarm event, identify the device(s) which is/are blinking Red LEDs then short press the Test/Hush button on the device to stop the alarm.

Note:The device is still sensitive to high temperature when smoke alarming is hushed. Later the device resumes to normal operation. During this hush time, the Standby LED blinks once every 8 s.

- In an interconnected group, if more than one device has a blinking Red LEDs and active alarm, short press the Test/Hush button on all devices. All interconnected devices stops alarm within 5 to 10 s.

Note: Wait for 10 minutes before performing any test to avoid malfunctioning of the device.

Temporary disablement

To temporarily disable the smoke detection in a device, short press the Test/Hush button once when the device is in Standby mode. The specific device will not be sensitive to smoke for 10 minutes. During this mode the Standby LED blinks once every 8 s.

d. Snoozing the device alerts:

• Low battery

When the battery is low, the standby LED blinks and 1 beep occurs every 48 s. You can snooze the low battery indication for 10 hours by short pressing the Test/ Hush button.

Important: The user must replace the device within 30 days from the first alert.

• Fault detection

When a fault is detected in the device, the standby LED blinks and 2 beep occurs every 48 s. You can snooze the indication for 10 hours by short pressing the Test/Hush button.

• Alarm memory

In an interconnected group, the Standby LED on the triggered device blinks once every 2 s till 72 hours after the alarm has stopped. This allows you to identify the device that was triggered.

Short press the Test/Hush button once to snooze the blinking LED for 10 hours.

10 Read full device user guide online

Scan the QR code for complete information about the device, including operation, configuration and using the product with a Wiser system.

Standby LED and alarming sound indications

Operating mode	Standby LED	Alarming Sound	Duration
Normal mode / Standby mode	Blinks every 48 s	OFF	—
ALARM MODE	Local alarm	Blinks every 1 s 3 beeps every 4 s	—
	Interconnected alarm	OFF 3 beeps every 4 s	—

Operating mode	Standby LED	Alarming Sound	Duration
Test mode	1 blink every 1 s	3 beeps every 4 s	Until Test/Hush button is released
Wireless interconnection test	OFF	Continuous 3 beeps every 4 s	25 s
Hush mode	Blinks every 8 s	OFF	10 min
Low battery mode	Blinks every 48 s	1 beep every 48 s	End of life: replace the device
Fault detection mode	2 blinks every 48 s	2 beeps every 48 s	Until the detected fault is cleared
SNOOZE MODE	Low battery	Blinks every 24 s	OFF 10 hrs
	Fault detection	2 blinks every 24 s	OFF 10 hrs
	Alarm memory	Blinks every 48 s	OFF 10 hrs

Troubleshooting

Issue	Resolution/Action
Device does not produce alarm sound when tested	<ol style="list-style-type: none"> 1. Ensure that the device is installed correctly. If you are unsure then remove and reinstall the device (Refer to "Installing the device"). 2. Press Test/Hush button until an alarm sound is produced. Do not press consecutively. 3. If the problem persists or if you have questions about the warranty, contact customer care center.
Device beeps and Standby LED blinks every 48 s	Battery may be low or drained. Replace the device.
Device beeps twice and Standby LED blinks every 48 s	<ol style="list-style-type: none"> 1. Clean the device. Refer to "Maintenance". 2. If the problem persists or if you have questions about the warranty, contact customer care center.
Device produces alarm sound unexpectedly without smoke or steam	<ol style="list-style-type: none"> 1. Identify the triggered device, indicated by a blinking Standby LED and 3 beeps every 4 s. 2. Press Test/Hush button to pause the alarm sound. Interconnected device stops alarming in 5 to 10 s. 3. Clean the device. Refer to "Maintenance". 4. Reinstall the device and test. 5. If the problem persists or if you have questions about the warranty, contact customer care center. <p>Note: After an alarm event, the device that has blinking Standby LED every 2 s is the triggered device. Identify the device and follow steps 3 to 5.</p>

False Alarm

Important: In an event of a false alarm in an interconnected group, it is important to identify the triggering device(s).

These devices must be cleaned, serviced or replaced if necessary.

Maintenance

It is recommended that the smoke alarm is inspected monthly to ensure it is free from dirt, dust and insects. The alarm can be vacuumed or brushed with a soft brush to remove dust, dirt or kitchen grease that has accumulated. Apply a small amount of insect surface spray to a cloth and wipe around alarm/s every 3-6 months to mitigate insect ingress.

Important:

- Always test the device after cleaning.
- If necessary refer to "Installing the device", for more information about installation.

NOTICE

EQUIPMENT MAINTENANCE INSTRUCTIONS

- Test the device regularly to ensure its functionality and the battery is in good condition.
- Replace the device after 10 years from the date of manufacturing.
- Do not open the device casing or repair yourself. There are no serviceable parts inside.

Failure to follow these instructions can result in equipment damage.

Technical data

Battery Life	10 years
Operating Current	<70 mA
Sensing Type	Photoelectric. This alarm contains NO radioactive material.
Operating Temperature	0 °C to 45 °C
Ambient Humidity	5% to 95%
Interconnecting	RF, max. 40 devices in one network
Communication protocol	Zigbee, max. 40 devices in one network
Operating frequency	Zigbee: 2405 - 2480 MHz RF: 433 MHz
RF compatibility	Compatible with 755LPSMA4, 755RFB2
Wireless Range	40m indoor line of sight
Horn Level	85 dB at 3 m
Mounting Type	Mount on ceiling and wall only
Dimensions (H x W x D)	89 x 89 x 33.5 mm
Standard	AS 3786: 2014+A1: 2015+A2: 2018
Certification	Zigbee 3.0 RCM Activfire SAI Global

Trademarks

- Wiser™ is a trademark and the property of Schneider Electric SE, its subsidiaries and affiliated companies.
- Zigbee® is a registered trademark of the Connectivity Standards Alliance.

Other brands and registered trademarks are properties of their relevant owners.

Customer care

If you have technical questions, please contact the Customer Care Centre in your country.

Schneider Electric (Australia) Pty Ltd

33-37 Port Wakefield Road, Gepps Cross SA 5094

Customer Care: 13 73 28

Email: customercare.au@se.com

Warranty: <https://www.se.com/au/en/about-us/legal/terms-and-conditions.jsp>

www.se.com

Schneider Electric (NZ) Ltd

Building 6, 60 Highbrook Drive, East Tamaki,

Auckland 2013

Customer Care: 0800 652 999

Email: customercare.nz@se.com

Warranty: <https://www.se.com/nz/en/about-us/legal/terms-and-conditions.jsp>

www.se.com