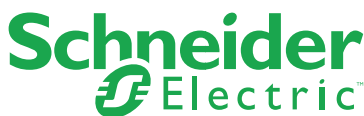
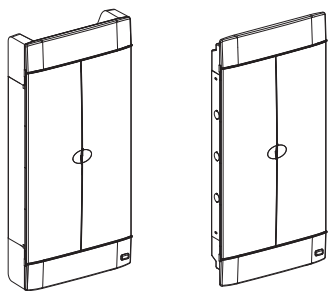
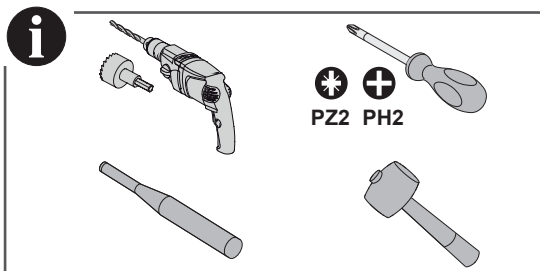


R9HSB●●●S

R9HSB●●●F



Surface Mount Flush Mount



**PLEASE NOTE**

- This equipment must be installed and maintained by a qualified electrician in accordance with the appropriate statutory regulations and codes of practice.
- All applicable local, regional and national regulations must be complied with during the installation, use, maintenance and replacement of this device.
- This product should not be installed if, when unpacking it, you observe that it is damaged.
- Schneider Electric cannot be held responsible in the event of noncompliance with the instructions in this document and in the documents to which it refers.
- The service instruction must be observed throughout the life time of this product.

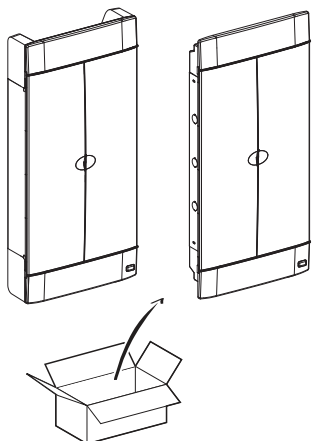
**⚡ ⚠ DANGER**

**HAZARD OF ELECTRIC SHOCK, EXPLOSION OR ARC FLASH**

- Turn off all power supplying this product before working on it.
  - Use a voltage tester with a suitable rated voltage in order to check that all active conductors aren't energized.
  - Carefully inspect the work area to check that no tools or objects could have been left inside the equipment.
- Failure to follow these instructions will result in death or serious injury.**

**1 Unboxing**

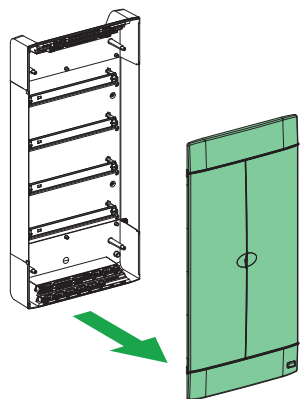
R9HSB●●●S R9HSB●●●F



Commercial Reference Number	Instruction Sheet	White Label	Pole Filler	Earth Conductor Tag	Comb Busbar Pin Type	Earth Wire	U-Link	Screw (M4)
	GEX6328302							
R9HSB110F	1	1	1	1	1	-	1	4
R9HSB115F	1	1	1	1	1	1	2	4
R9HSB215F	1	1	2	1	2	1	2	4
R9HSB315F	1	1	2	1	3	2	2	4
R9HSB415F	1	1	3	1	4	3	3	4
R9HSB115S	1	1	1	1	1	1	2	4
R9HSB215S	1	1	2	1	2	1	2	4
R9HSB315S	1	1	2	1	3	2	2	4
R9HSB415S	1	1	3	1	4	3	3	4

**2 Removal of Front Cover**

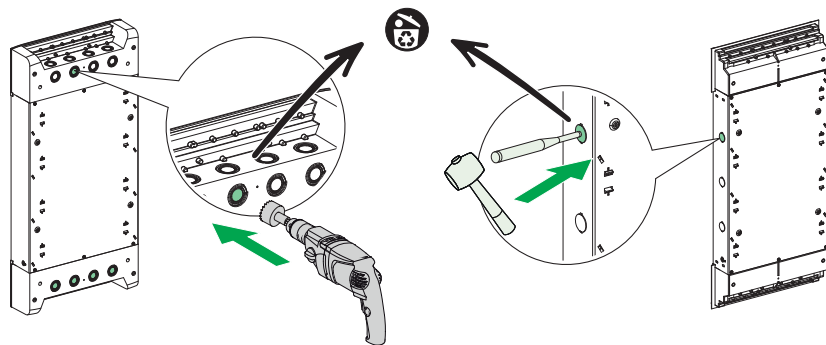
R9HSB●●●S, R9HSB●●●F



**Information Cable Entry Knockouts**

R9HSB●●●S

R9HSB●●●F



**Note:**

- Remove minimum number of knockouts required for the incoming and outgoing cables to pass through easily.
- IP rating shall be maintained, suitable cable protection shall be applied with appropriate conduit.

